

EXPLANATION OF ABBREVIATIONS IN CATALOGUE
VERDUIDELIKING VAN AFKORTINGS IN KATALOGUS

	DIRECT CALF TRAITS	DIREKTE KALF EIENSKAPPE	Kalf eienskappe
Calf traits	DIRECT CALF TRAITS	DIREKTE KALF EIENSKAPPE	Kalf eienskappe
Daughter traits	DAUGHTER TRAITS	DOGTER EIENSKAPPE	Dogter eienskappe
Growth traits	GROWTH	GROEI	Groei eienskappe
Efficiency traits	EFF	DOEL	Doeltreffendheids eienskappe
Reproduction traits	REPRODUCTION	REPRODUKSIE	Reproduksie eienskappe
Body measurements	MEASURE	MATES	Liggaamsmates
Lot number	Lot	Lot	Lotnommer
Ratio	R:	V:	Verhouding
Identification number	ID	ID	Identifikasienommer
Generation/Section of Herdbook	Gen	Gen	Generasie/Afdeling van kuddeboek
Weight in kilogram	Wgt kg	Gew kg	Gewig in kilogram
Index	Ind	Ind	Indeks
Accuracy of breeding value	Acc	Akk	Akkuraatheid van teelwaarde
Birth direct (kg)	Birth Dir	Geb Dir	Geboorte direk (kg)
Birth maternal (kg)	Birth Mat	Geb Mat	Geboorte maternaal (kg)
Wean direct (kg)	Wean Dir	Speen Dir	Speen direk (kg)
Wean maternal (kg)	Wean Mat	Speen Mat	Speen maternaal (kg)
Mature weight (kg)	Mature Wgt	Volw Gew	Volwasse gewig (kg)
365 Days (kg)	365d	365d	365 Dae (kg)
540 Days (kg)	540d	540d	540 Dae (kg)
Average daily gain (g/day)	ADG	GDT	Gemiddelde daaglikse toename (g/dag)
Feed conversion ratio	FCR	VOV	Voeromsetverhouding
Scrotal circumference (mm)	SC	SO	Skrotum omvang (mm)
Age First Calving	AFC	OEK	Ouderdom Eerste Kalwing
Inter Calving Period	ICP	TKP	Tussen Kalf Periode
Height (mm)	Hgt	Hgt	Hoogte (mm)
Length (mm)	Lgt	Lgt	Lengte (mm)
Length : Height ratio	LHR	HLV	Lengte : Hoogte verhouding
Birth weight : Cow weight ratio	BWR	GGV	Geboortegewig : Koeigewig verhouding
Wean weight : Cow weight ratio	WWR	SGV	Speengewig : Koeigewig verhouding
Age in years and months / Number of calvings	Age / Calv	Oud / Kalw	Ouderdom in jare en maande / Aantal kalwings
Average Wean index / Number of calves	Ave WI / Calf	Gem SI / Kalf	Gemiddelde Speenindeks / Aantal kalwers
Reproduction index	R.I.	R.I.	Reproduksie Indeks
Polled	Polled	Poena	Poena
Post Wean 365 days & Post Wean 540 days	PW365 & PW540	NS365 & NS540	Naspeen 365 dae & Naspeen 540 dae
Growth test & Growth test group	GT & GTg	GT & GTg	Groei Toets & Groeitoets groep
Central test	CT	ST	Sentrale toets
Kleiber Index	KLB	KLB	Kleiber Indeks



BONSMARA CATTLE BREEDERS ASSOCIATION OF NAMIBIA

P.O. Box 80005 - Windhoek, Namibia - Tel/Fax: 061 -222753

Auction Date: 19/07/2013
Data as on 26/06/2013 18:44:35

FEMALE ANIMALS

Lot	Seller	ID	PARENTS	Test	DIRECT CALF TRAITS		DAUGHTER TRAITS			GROWTH		EFF.	REP	MEASUREMENTS			R:	Calf ID	Breeder Own Remarks		
					Progeny Birth Weight	Progeny Wean Weight	Ease of Calving	Milk prod.	Mature Weight	Post Wean Weight	Daily Gain	Feed Conv		Height & Length		CALF AT FOOT					
POLLED	Gen	SIRE	LidCat	Breeding Value Indexes																LHR	Birth Date
		DAM	DNA	Birth Dir	Wean Dir	Birth Mat	Wean Mat	Mat Wgt	Post Wean	ADG	FCR	SC	Hgt	Lgt	BWR	Sire					
		Birth Date	Wgt kg	Wgt kg	Ind	kg	kg	kg	865d/Klb	540d Ind	Ind	Ind	(mm)	(mm)	(mm)	WWR	Sex/Wgt				

Cows with Calves

54 A	HOCHFELDSTREEK BONSMARAS	HMB 10 0163	BG 040040	PW540	93	109	97	95	98	114	82	84	100	82	85	-	HMB 13 0061
					1.41	14.7	0.14	2.2	4.0	25.0	-1	-20	7.6	-10	-3	-	30.05.13
		SP	HMB 04 0047	01.12.10	80	76	63	67	37	69	45	17	50	50	48	-	AG 03 0130
					36										41.2	F / 31	
54 B	HOCHFELDSTREEK BONSMARAS	HMB 10 0037	AEJ 06 0107	PW540	106	107	95	118	90	110	108	106	93	93	110	-	HMB 13 0060
					-0.05	13.8	0.23	8.0	-4.0	22.5	114	-53	3.2	-2	20	-	30.05.13
		SP	HMB 05 0174	11.06.10	79	74	61	64	28	66	45	17	50	50	49	-	AG 03 0130
					29										-	M / 31	
55 A	HOCHFELDSTREEK BONSMARAS	HMB 10 0118	HMB 050139	PW540	89	103	97	125	117	111	96	92	107	108	102	-	HMB 13 0030
					1.87	11.9	0.15	9.8	25.0	23.1	63	-32	11.6	7	13	-	29.04.13
		SP	HMB 02 0084	30.10.10	81	76	64	67	29	68	42	8	46	47	45	-	AG 03 0130
					38										-	F / 28	
55 B	HOCHFELDSTREEK BONSMARAS	HMB 10 0109	AEJ 06 0107	PW540	96	106	99	89	104	106	92	97	92	78	94	-	HMB 13 0043
					1.09	13.2	0.04	0.8	10.0	19.7	43	-39	2.7	-13	5	-	08.05.13
		SP	HMB 02 0092	30.10.10	80	74	63	65	32	66	43	17	48	48	47	-	AG 03 0130
					36										37.2	M / 36	
55 C	HOCHFELDSTREEK BONSMARAS	HMB 10 0068	HART 06 0099	PW540	103	98	108	90	91	98	88	89	111	100	92	-	HMB 13 0064
					0.22	9.1	-0.32	1.0	-3.0	13.6	28	-27	13.3	2	3	-	24.06.13
		SP	HMB 07 0181	26.09.10	81	73	63	63	34	64	45	17	49	49	48	-	AG 03 0130
					30										48	M / 37	

0.58	10.2	0.02	3.6	6	15.3	78	-44	7.4	2	11
------	------	------	-----	---	------	----	-----	-----	---	----

BONSMARA CATTLE BREEDERS ASSOCIATION OF NAMIBIA

P.O. Box 80005 - Windhoek, Namibia - Tel/Fax: 061 -222753

Auction Date: 19/07/2013

Data as on 26/06/2013 18:44:35

Lot 54A

<p>HMB 10 0163 AFC 29 ICP RI 109 Age/Calv. 3/1 Avg. WI/Calv /0</p>	<p>BG 040040 HMB 04 0047 AFC 37 Age/Calv. 8/6 ICP 365 Avg. WI/Calv 95/5 RI 107</p>	<p>BG 020058 AFC 30 Age/Calv. 12/9 ICP 412 Avg. WI/Calv 98/8</p> <p>BG 970040 AFC 35 Age/Calv. 10/8 ICP 369 Avg. WI/Calv 93/8</p> <p>HMB 000088 AFC 35 Age/Calv. 10/8 ICP 369 Avg. WI/Calv 93/8</p> <p>HMB 010079 AFC 35 Age/Calv. 10/8 ICP 369 Avg. WI/Calv 93/8</p>	<p>FCT 980063 B 930207 B 920323 B 900062 AG 960012 GRT 910090 HA 970154 HMB 920102</p>
---	---	---	--

Lot 54B

<p>HMB 10 0037 AFC 35 ICP RI 92 Age/Calv. 3/1 Avg. WI/Calv /0</p>	<p>AEJ 06 0107 HMB 05 0174 AFC 40 Age/Calv. 7/4 ICP 432 Avg. WI/Calv 103/3 RI 91</p>	<p>AEJ 030167 AFC 27 Age/Calv. 8/7 ICP 375 Avg. WI/Calv 93/6</p> <p>AEJ 04 0102 AFC 34 Age/Calv. 11/8 ICP 416 Avg. WI/Calv 109/7</p>	<p>AEJ 970106 AEJ 00 0041 JJF 000131 AEJ 99 0136 AG 970055 AG 950180 JRB 920173 HMB 930118</p>
--	---	--	--

Lot 55A

<p>HMB 10 0118 AFC 29 ICP RI 109 Age/Calv. 3/1 Avg. WI/Calv /0</p>	<p>HMB 050139 HMB 02 0084 AFC 35 Age/Calv. 10/8 ICP 365 Avg. WI/Calv 99/8 RI 110</p>	<p>EI 970177 AFC 34 Age/Calv. 11/8 ICP 417 Avg. WI/Calv 112/8</p> <p>HMB 960056 AFC 33 Age/Calv. 11/8 ICP 420 Avg. WI/Calv 102/7</p> <p>HMB 990014 AFC 33 Age/Calv. 11/8 ICP 420 Avg. WI/Calv 102/7</p> <p>HMB 990157 AFC 33 Age/Calv. 11/8 ICP 420 Avg. WI/Calv 102/7</p>	<p>EI 930153 EI 910135 EI 930112 HMB J 0165 AG 910026 HMB 910093 CWS 920030 HMB N 0174</p>
---	---	--	--

Lot 55B

<p>HMB 10 0109 AFC 30 ICP RI 108 Age/Calv. 3/1 Avg. WI/Calv /0</p>	<p>AEJ 06 0107 HMB 02 0092 AFC 35 Age/Calv. 10/8 ICP 369 Avg. WI/Calv 96/8 RI 110</p>	<p>AEJ 030167 AFC 27 Age/Calv. 8/7 ICP 375 Avg. WI/Calv 93/6</p> <p>AEJ 04 0102 AFC 33 Age/Calv. 10/7 ICP 434 Avg. WI/Calv 97/4</p>	<p>AEJ 970106 AEJ 00 0041 JJF 000131 AEJ 99 0136 EI 920212 EI 920216 HMB 920138 HMB N 0013</p>
---	--	---	--

Lot 55C

<p>HMB 10 0068 AFC 32 ICP RI 100 Age/Calv. 3/1 Avg. WI/Calv /0</p>	<p>HART 06 0099 HMB 07 0181 AFC 33 Age/Calv. 5/3 ICP 380 Avg. WI/Calv 100/2 RI 105</p>	<p>AG 000100 AFC 37 Age/Calv. 9/7 ICP 376 Avg. WI/Calv 104/5</p> <p>AG 03 0260 AFC 38 Age/Calv. 10/7 ICP 390 Avg. WI/Calv 99/6</p> <p>EI 970024 AFC 38 Age/Calv. 10/7 ICP 390 Avg. WI/Calv 99/6</p> <p> Elite-Bronze HMB 03 0079 AFC 38 Age/Calv. 10/7 ICP 390 Avg. WI/Calv 99/6</p>	<p>AG 97 0264 AG 98 0128 AG 000011 AG 980112 EI 920212 EI 920216 EI 970177 HMB 980176</p>
---	---	---	---

VROULIKE DIERE

Lot	Verkoper	ID	OUERS	Toets	Teelwaarde indekse											LHV	GGV	SGV	Gebruiker Eie Opmerkings
					VADER	LidCat	Geb Dir	Speen Dir	Geb Mat	Speen Mat	Volwas Gew	Naspeen	GDT	VOV	SO				
POENA	MOEDER	DNS	Akk	Akk	Akk	Akk	Akk	Akk	Akk	Akk	Akk	Akk	Akk	Akk	Akk	Akk	Akk	Akk	
Gen	Geb. dat.	Gew kg	Gew kg	Ind	kg	kg	kg	65d/Klp	540d Ind	Ind	Ind	(mm)	(mm)	(mm)					

Dragtige Verse

56 A	B.H. & C. MOUTON	WAGB 11 0043	AEJ 06 0180	NS540	65	109	85	108	102	105	98	94	96	101	101	-	8.89	Dragtig HART 06-093
					4.61	14.6	0.65	5.6	8.0	18.9	71	-34	5.3	3	12			
		A	WAGB 02 0031	24.06.11	48	229	102				106	104						
56 B	B.H. & C. MOUTON	WAGB 11 0058	AEJ 06 0180	NS540	76	106	84	94	105	106	88	84	96	87	87	-	7.87	Dragtig WAGB 08-010
					3.30	13.4	0.66	2.1	12.0	19.6	27	-19	5.2	-6	-1			
		SP	NOK 05 0107	10.07.11	42	204	91				96	96						
57 A	G.M. SIGWART	GMS 11 0014	GMS 08 0257	NS540	114	92	109	116	99	95	100	105	94	92	97	-	6.12	Dragtig SBS 09-095
					-0.97	6.4	-0.34	7.6	6.0	12.1	79	-51	3.8	-3	9			
		SP	GMS 04 0020	21.05.11	34	230	108				101	100						
57 B	G.M. SIGWART	GMS 11 0018	GMS 08 0257	NS540	107	93	72	105	102	91	93	99	85	89	92	-	5.63	Dragtig SBS 09-095
					-0.21	7.0	1.19	4.7	8.0	8.7	48	-42	-1.0	-5	3			
		SP	GMS 04 0056	29.05.11	36	210	96				90	99						
57 C	G.M. SIGWART	GMS 11 0017	HA 07 0117	NS540	112	93	108	105	97	97	95	94	91	108	101	-	6.2	Dragtig SBS 09-095
					-0.79	6.9	-0.31	4.8	3.0	13.0	56	-35	2.1	8	12			
		SP	GMS 020015	26.05.11	32	207	97				100	103						
58 A	B.H. & C. MOUTON	WAGB 11 0085	FCT 980067	NS540	108	93	101	101	93	98	101	97	108	87	90	-	6.5	Dragtig IH 10-041
					-0.30	6.8	-0.05	3.8	-1.0	14.1	82	-40	11.8	-7	2			
		SP	HA 00 0129	13.11.11	36	216	103				101	100						

BONSMARA BEESTELAARSGENOOTSKAP VAN NAMIBIE

P.O. Box 80005 - Windhoek, Namibia - Tel/Fax: 061 -222753

Veilingsdatum: 19/07/2013

Data soos op 26/06/2013 18:44:36

Lot 56A		Dragtig HART 06-093		
WAGB 11 0043	AEJ 06 0180	KHR 000012	VV 950281	
			KHR 980012	
		AEJ 990144	AEJ 960130	
		OEK 37 Oud/Kalw. 7/4	AEJ 960134	
	TKP 469 Gem. SI/Kalf 98/4			
	WAGB 02 0031			
		OEK 30 Oud/Kalw. 10/8		
		TKP 375 Gem. SI/Kalf 96/8		
		RI 112		
OEK Oud/Kalw. /				
TKP Gem. SI/Kalf /				

Lot 56B		Dragtig WAGB 08-010		
WAGB 11 0058	AEJ 06 0180	KHR 000012	VV 950281	
			KHR 980012	
		AEJ 990144	AEJ 960130	
		OEK 37 Oud/Kalw. 7/4	AEJ 960134	
	TKP 469 Gem. SI/Kalf 98/4			
	NOK 05 0107			
		OEK 26 Oud/Kalw. 7/5		
		TKP 405 Gem. SI/Kalf 101/5		
		RI 112		
OEK Oud/Kalw. /				
TKP Gem. SI/Kalf /				

Lot 57A		Dragtig SBS 09-095		
GMS 11 0014	GMS 08 0257	AG 020291	AG 980338	
			AG 960190	
		GMS 020025	GMS 930231	
		OEK 30 Oud/Kalw. 10/8	GMS N 0004	
	TKP 369 Gem. SI/Kalf 100/8			
	GMS 04 0020			
		OEK 36 Oud/Kalw. 8/5		
		TKP 461 Gem. SI/Kalf 112/5		
		RI 92		
OEK Oud/Kalw. /				
TKP Gem. SI/Kalf /				

Lot 57B		Dragtig SBS 09-095		
GMS 11 0018	GMS 08 0257	AG 020291	AG 980338	
			AG 960190	
		GMS 020025	GMS 930231	
		OEK 30 Oud/Kalw. 10/8	GMS N 0004	
	TKP 369 Gem. SI/Kalf 100/8			
	GMS 04 0056			
		OEK 34 Oud/Kalw. 8/5		
		TKP 461 Gem. SI/Kalf 98/5		
		RI 94		
OEK Oud/Kalw. /				
TKP Gem. SI/Kalf /				

Lot 57C		Dragtig SBS 09-095		
GMS 11 0017	HA 07 0117	TEW 03 0033	ZAK 960043	
			TEW 980027	
		HA 01 0188	JRB 970189	
		OEK 29 Oud/Kalw. 11/9	HA 920137	
	TKP 369 Gem. SI/Kalf 104/8			
	GMS 020015			
		OEK 29 Oud/Kalw. 10/8		
		TKP 396 Gem. SI/Kalf 104/8		
		RI 109		
OEK Oud/Kalw. /				
TKP Gem. SI/Kalf /				

Lot 58A		Dragtig IH 10-041		
WAGB 11 0085	FCT 980067	EI 940339	EI 920079	
			EI 920048	
		JVD 910053	BG J 0048	
		OEK 28 Oud/Kalw. 11/10	BG K 0070	
	TKP 368 Gem. SI/Kalf 104/10			
	HA 00 0129			
		OEK 33 Oud/Kalw. 12/10		
		TKP 387 Gem. SI/Kalf 100/9		
		RI 108		
OEK Oud/Kalw. /				
TKP Gem. SI/Kalf /				



BONSMARA CATTLE BREEDERS ASSOCIATION OF NAMIBIA

P.O. Box 80005 - Windhoek, Namibia - Tel/Fax: 061 -222753

Auction Date: 19/07/2013
Data as on 26/06/2013 18:44:37

FEMALE ANIMALS

Lot	Seller	ID	PARENTS	Test	DIRECT CALF TRAITS					DAUGHTER TRAITS			GROWTH		EFF.	REP	MEASUREMENTS			R:	Breeder Own Remarks
					Progeny Birth Weight	Progeny Wean Weight		Ease of Calving	Milk prod.	Mature Weight	Post Wean Weight	Daily Gain	Feed Conv	Height & Length							
POLLED	SIRE	DAM	LidCat	DNA	Breeding Value Indexes										LHR	BWR	WWR				
					Birth Dir	Wean Dir		Birth Mat	Wean Mat	Mat Wgt	Post Wean	ADG	FCR	SC				Hgt	Lgt		
Gen	Birth Date	Wgt kg	Wgt kg	Ind	kg	kg	kg	kg	kg	kg	kg	kg	kg	kg	kg	kg	kg	kg	kg	kg	

Pregnant Heifers

58 B	B.H. & C. MOUTON	WAGB 11 0112	HART 06 0093	PW540	115	91	78	123	103	95	96	93	89	89	79	-	Dragtig WAGB 09-105
		SP	HA 00 0100	03.12.11	-1.16	5.7	0.95	9.3	10.0	11.7	62	-33	0.9	-5	-9	5.95	
					81	76	66	68	35	62	45	28	49	49	48	41	
58 C	B.H. & C. MOUTON	WAGB 11 0083	AEJ 06 0180	PW540	105	98	88	112	110	102	98	93	108	96	100	-	Dragtig IH 10-041
		SP	NOK 00 0060	13.11.11	0.07	9.1	0.50	6.7	17.0	17.1	68	-33	12.1	0	11	7.44	
					80	76	61	67	31	60	40	17	44	44	43	48.5	
59 A	G.M. SIGWART	GMS 11 0020	GMS 08 0257	PW540	102	94	89	97	105	98	93	95	79	83	87	-	Dragtig SBS 09-095
		SP	GMS 08 0017	04.06.11	0.38	7.2	0.47	2.8	12.0	13.6	47	-36	-4.4	-9	-1	7.54	
					80	71	63	61	32	63	29	8	34	35	33	47	
59 B	G.M. SIGWART	GMS 11 0036	HART 06 0093	PW540	114	97	86	111	108	99	101	99	96	95	89	-	Dragtig SBS 09-095
		SP	GMS 04 0006	06.07.11	-1.02	8.6	0.61	6.4	15.0	14.4	82	-42	4.8	-1	1	6	
					81	75	65	66	36	67	41	23	45	45	44	40.5	
59 C	G.M. SIGWART	GMS 11 0040	GMS 08 0257	PW540	90	106	78	126	117	107	107	109	95	100	107	-	Dragtig SBS 09-095
		SP	GMS 040051	12.07.11	1.67	13.1	0.94	10.2	24.0	20.0	108	-58	4.5	2	17	6.01	
					81	74	64	65	35	66	29	8	35	35	33	37.5	

Open Heifers

60	B.H. & C. MOUTON	WAGB 11 0046	AEJ 06 0180	PW540	99	106	107	93	116	107	90	87	110	90	93	-	
		SP	HA 00 0081	28.06.11	0.65	13.2	-0.28	1.8	23.0	20.6	37	-24	12.8	-4	4	6.8	
					81	76	65	67	35	67	46	17	50	51	49	47.5	

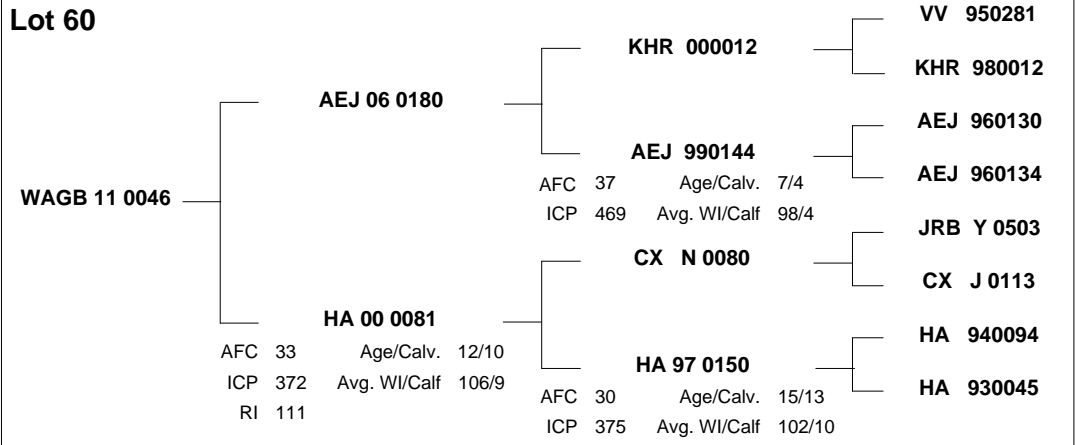
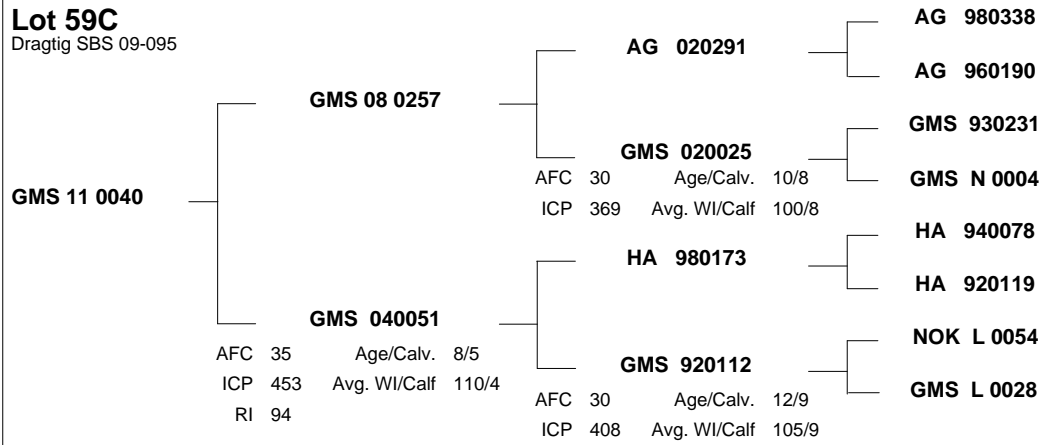
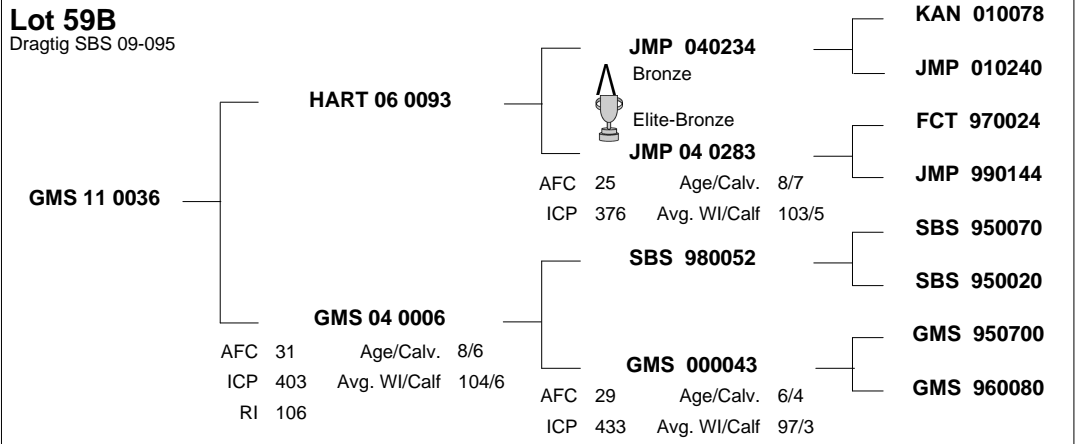
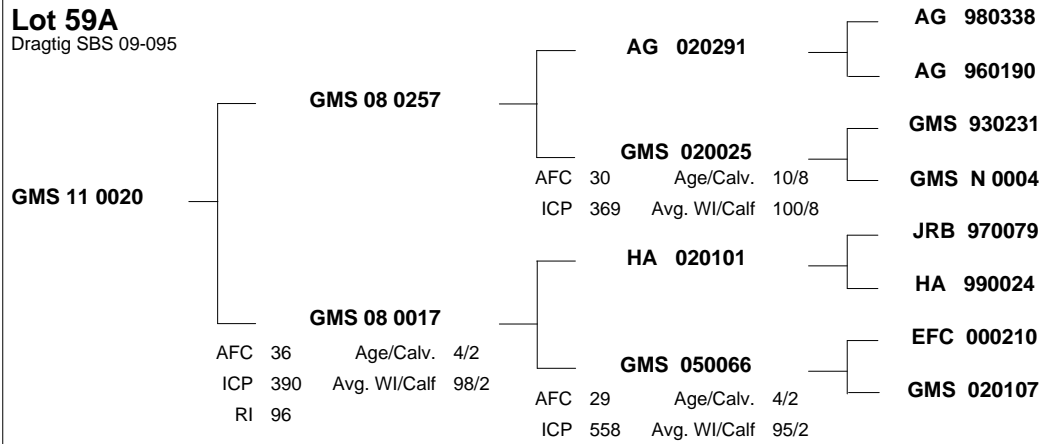
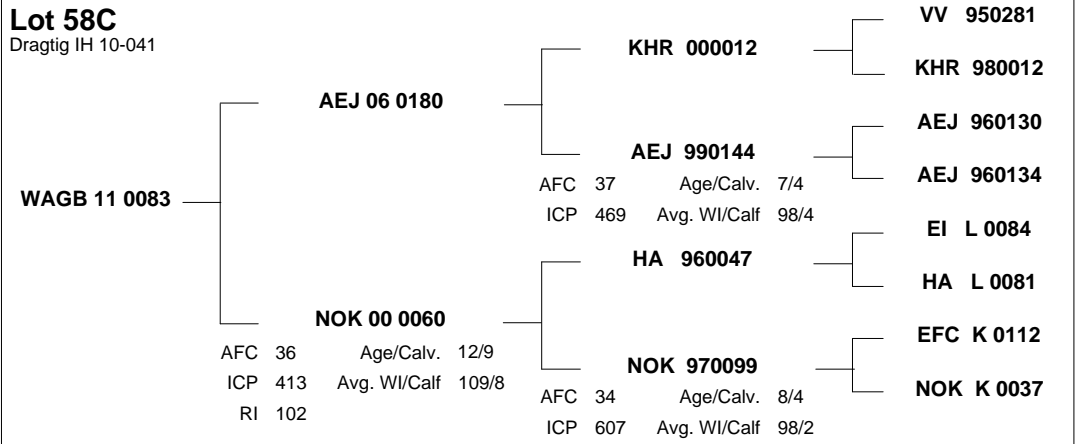
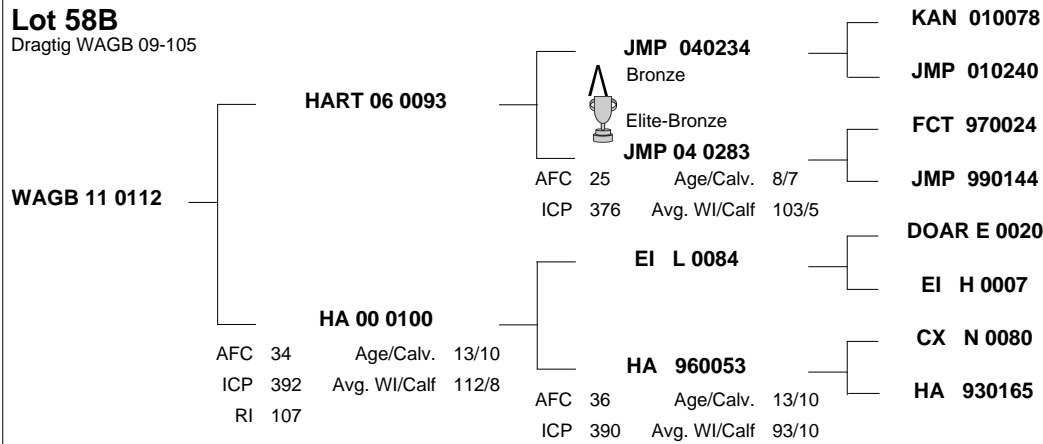
0.58	10.2	0.02	3.6	6	15.3	78	-44	7.4	2	11
------	------	------	-----	---	------	----	-----	-----	---	----

BONSMARA CATTLE BREEDERS ASSOCIATION OF NAMIBIA

P.O. Box 80005 - Windhoek, Namibia - Tel/Fax: 061 -222753

Auction Date: 19/07/2013

Data as on 26/06/2013 18:44:37



VROULIKE DIERE

Lot	Verkoper	ID	OUERS	Toets	Teelwaarde indekse											LHV	GGV	SGV	Gebruiker Eie Opmerkings
					VADER	LidCat	Geb Dir	Speen Dir	Geb Mat	Speen Mat	Volw Gew	Naspeen	GDT	VOV	SO				
POENA	MOEDER	DNS	Akk	Akk	Akk	Akk	Akk	Akk	Akk	Akk	Akk	Akk	Akk	Akk	Akk	Akk	Akk	Akk	
Gen	Geb. dat.	Gew kg	Gew kg	Ind	kg	kg	kg	kg	kg	kg	kg	kg	kg	kg	kg	kg	kg	kg	

Oop Verse

61 A	B.H. & C. MOUTON	WAGB 11 0109	HART 06 0093	NS540	122	91	80	115	96	89	99	95	105	90	85	-		
					-1.94	5.6	0.86	7.4	2.0	7.6	74	-37	10.4	-4	-3			
		SP	WAGB 08 0012	02.12.11	30	213	105				101	99						
61 B	B.H. & C. MOUTON	WAGB 11 0110	AEJ 06 0180	NS540	92	105	98	94	112	104	101	95	107	102	106	-		
					1.52	12.5	0.08	2.1	19.0	18.3	81	-36	11.3	4	16			
		SP	NOK 96 0062	02.12.11	34	206	98				98	97						
61 C	B.H. & C. MOUTON	WAGB 11 0111	HART 06 0093	NS540	92	108	66	109	102	108	96	93	94	82	86	-		
					1.53	14.4	1.43	5.9	9.0	21.3	61	-33	4.0	-9	-2			
		SP	WAGB 03 0034	02.12.11	43	231	107				107	101						
62 A	B.H. & C. MOUTON	WAGB 11 0113	AEJ 06 0180	NS540	104	98	98	93	112	101	98	96	103	99	100	-		
					0.17	9.2	0.11	1.7	20.0	15.8	71	-37	9.3	1	11			
		SP	NOK 98 0036	03.12.11	33	224	109				99	109						
62 B	B.H. & C. MOUTON	WAGB 11 0120	AEJ 06 0180	NS540	79	105	79	99	106	101	96	92	95	92	94	-		
					3.02	12.5	0.88	3.2	13.0	15.7	62	-32	4.6	-3	5			
		B	WAGB 05 0016	07.12.11	41	203	93				92	97						
62 C	B.H. & C. MOUTON	WAGB 11 0137	HART 06 0093	NS540	124	90	82	116	97	91	103	101	88	98	90	-		
					-2.13	5.3	0.78	7.6	3.0	8.6	93	-46	0.5	1	2			
		SP	WAGB 04 0083	24.12.11	32	221	108				103	101						

BONSMARA BEESTELERSGEOOTSKAP VAN NAMIBIE

P.O. Box 80005 - Windhoek, Namibia - Tel/Fax: 061 -222753

Veilingsdatum: 19/07/2013

Data soos op 26/06/2013 18:44:38

